



Watt, VAR & Power Factor
 +/- 0.25% Accuracy
 Bright LED Display
 1/8 DIN Panel Mount
 Screw Terminals Standard
 110/220 VAC Power



SPECIFICATIONS

Display	4 1/2 Digit 0.56" red LED
Accuracy	+/-0.25% +/-3 counts, Watt/VAR +/-1%, Power Factor
Power Factor Range	-0.5 to +0.5
Sampling Rate	3 Cycles/sec
Frequency Response	45 - 400 Hz
Input Overload	Voltage - 750V RMS continuous Current - 2X rated continuous 10X rated for 10 sec. 50X rated for 1 sec.
Input Burden	Voltage Circuit - less than 0.3VA Current Circuit - less than 0.3VA
Over Range Indication	Flashing "0000"
Operating Temp.	0 - 60 deg C
Power Supply	110/220 VAC +/-10% 50/60 Hz

MODELS

	WATT	VAR	POWER FACTOR
1 phase, 2-wire	KWM-12	VARM-12	PFM-12
3 phase, 3-wire	KWM-33	VARM-33	PFM-33
3 phase, 4-wire	KWM-34	VARM-34	PFM-34

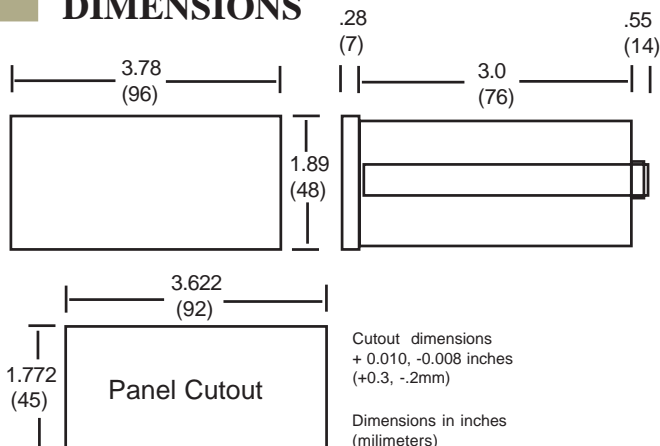
Please specify load voltage and current range as follows:

(1) For direct load connections order base model # and add "-XY"

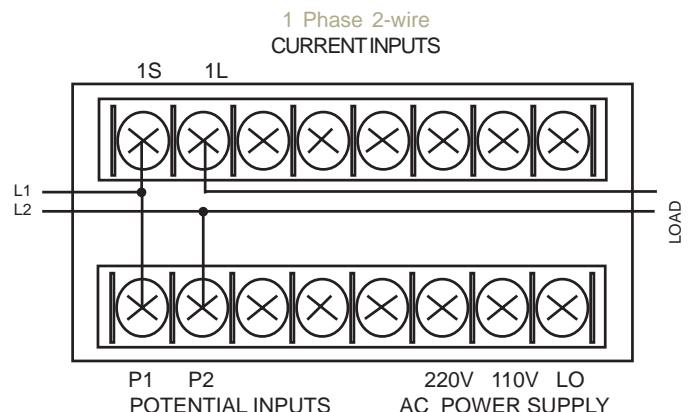
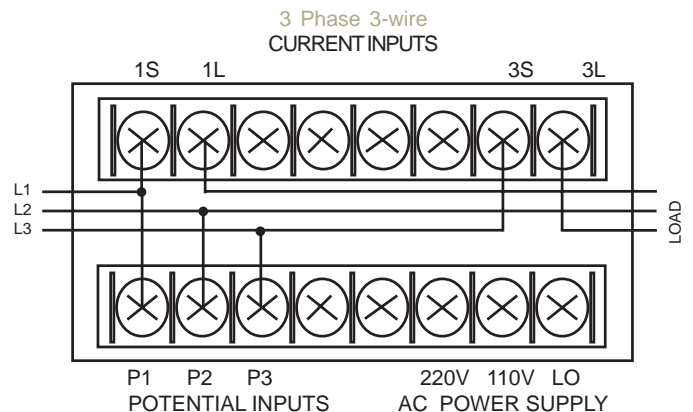
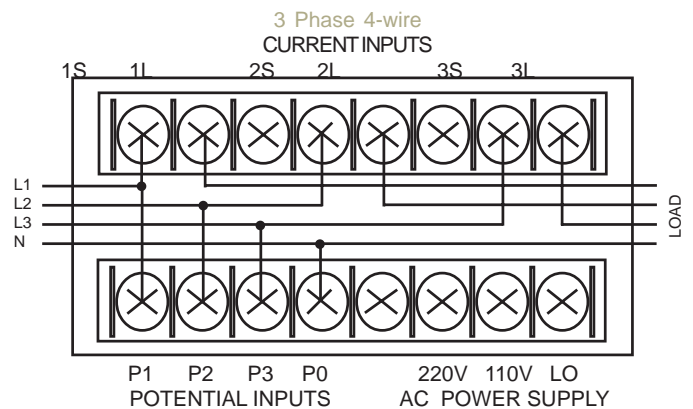
Where: X= 1 (150 VAC) Y= 1 (1 amp)
 3 (300 VAC) 5 (5 amp)
 6 (600 VAC) 9 (10 amp)

(2) For external potential (PT) or current (CT) transformer usage please specify transformer ratios for factory scaling of display.

DIMENSIONS



CONNECTION DIAGRAMS



4 1/2 DIGIT POWER METERS

W/VAR/PF